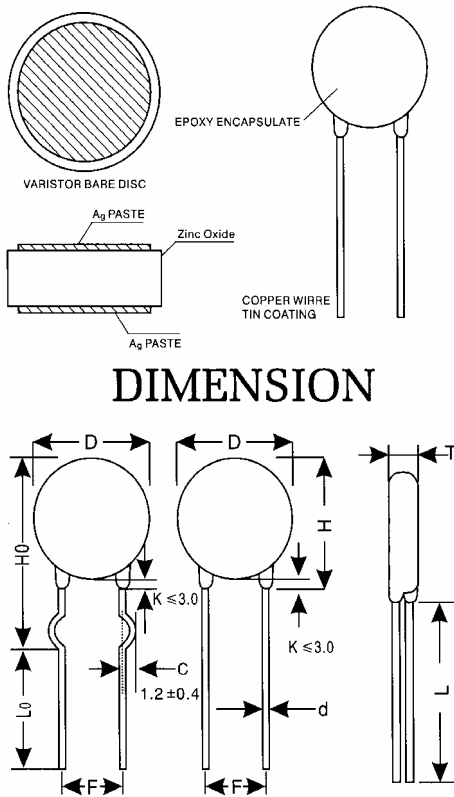


Materials and Dimensions



Dimension table

UNIT :mm

Series	D max	H max	Ho max	d	c±0.4	F
05D	7	10.5	13	0.6	1.2	5±0.8
07D	9	12	13.5	0.6	1.2	5±0.8
10D	13	17	17.5	0.8	1.4	7.5±0.8
14D	17	20	21	0.8	1.4	7.5±0.8
		22	23	0.8		*10±0.8
20D	24	28	30	0.8	1.4	10±0.8
		30	32	1.0		
25D	30	33	34	1.0	1.6	10±0.8
						*12.5±1.0

*non standard lead space, available upon request.

Thickness (T) max. Table

Part No.	05D	07D	10D	14D	20D	25D
180L	4.5	4.5	4.6	4.6	4.8	4.8
220K	4.6	4.6	4.7	4.7	4.9	4.9
270K	4.7	4.7	4.8	4.8	5.0	5.0
330K	4.9	4.9	5.0	5.0	5.2	5.2
390K	4.8	4.8	5.3	5.3	5.5	5.5
470K	4.9	4.9	5.4	5.4	5.6	5.6
560K	5.0	5.0	5.5	5.5	5.7	5.7
680K	5.2	5.2	5.6	5.6	5.8	5.8
820K	4.1	4.1	4.7	4.7	4.9	4.9
101K	4.3	4.3	4.9	4.9	5.1	5.1
121K	4.5	4.5	5.1	5.1	5.3	5.3
151K	4.8	4.8	5.4	5.4	5.6	5.6
181K	4.3	4.3	4.8	4.8	5.0	5.2
201K	4.4	4.4	5.0	5.0	5.2	5.4
221K	4.5	4.5	5.1	5.1	5.3	5.5
241K	4.6	4.6	5.2	5.2	5.4	5.6
271K	4.9	4.9	5.4	5.4	5.6	5.8
301K	5.0	5.0	5.5	5.5	5.7	5.9

Part No.	05D	07D	10D	14D	20D	25D
331K	5.1	5.1	5.8	5.8	6.0	6.1
361K	5.2	5.2	6.0	6.0	6.2	6.4
391K	5.4	5.4	6.2	6.2	6.4	6.6
431K	5.7	5.7	6.5	6.5	6.7	6.9
471K	6.0	6.0	6.7	6.7	6.9	7.1
511K	6.2	6.2	6.8	6.8	7.0	7.2
561K	6.5	6.5	7.0	7.0	7.2	7.4
621K	-	7.1	7.3	7.3	7.5	7.7
681K	-	7.3	7.6	7.6	7.8	8.0
751K	-	-	8.0	8.0	8.2	8.4
781K	-	-	8.1	8.1	8.3	8.5
821K	-	-	8.3	8.3	8.5	8.7
911K	-	-	8.8	8.8	9.0	9.2
102k	-	-	9.3	9.3	9.5	9.7
112K	-	-	9.9	9.9	10.1	10.3
122K				10.4	10.6	11.8
152K						
182K	-	-	-	13.	13.2	15.2